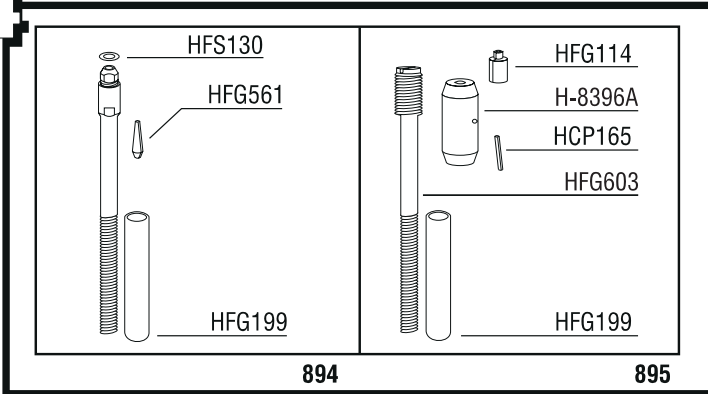


4



4 - Studs & Components

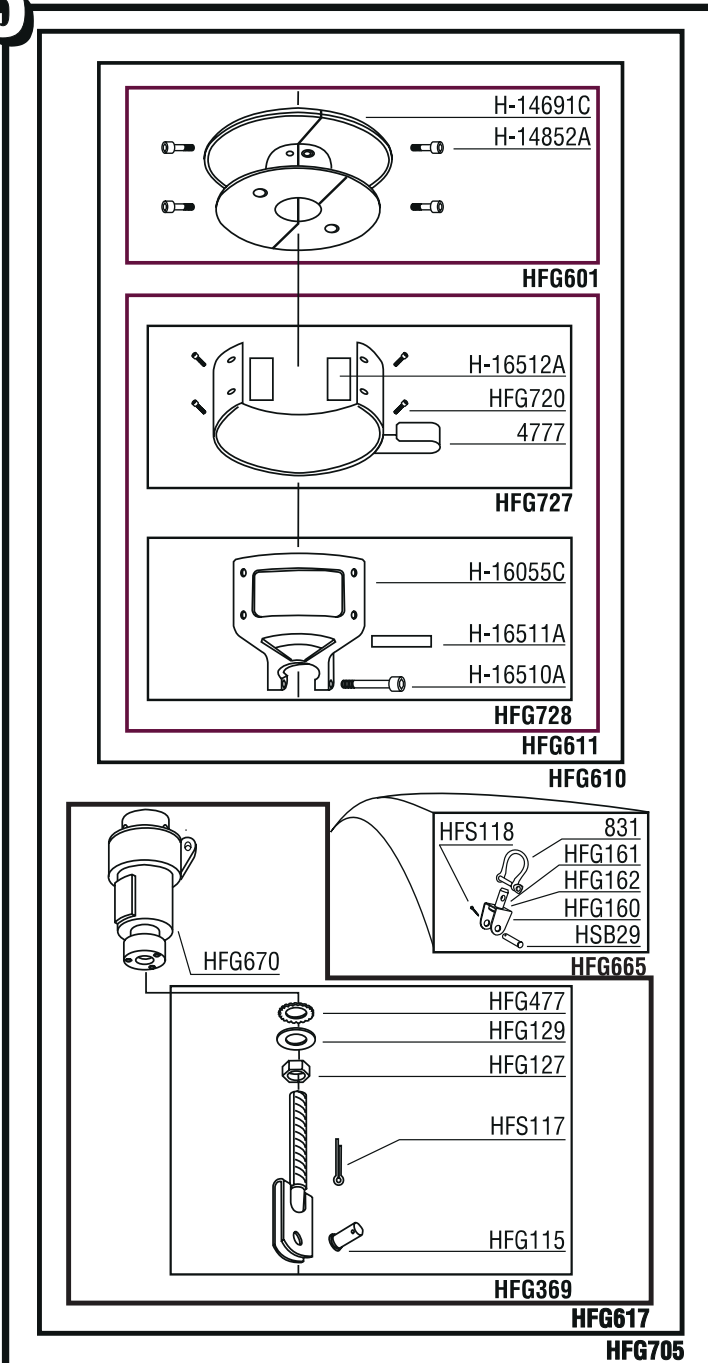
Sta-Lok Studs

- HFG199 Stud-Cap - 1/2" ID x 4" Red
- 894 Stud - 5/16" (8 mm) Sta-Lok
- HFG561 Wedge - 5/16" Sta-Lok
- HFS130 Washer - 3/8" .068 x .813 x .406 18-8

Rod

- HFG199 Stud-Cap - 1/2" ID x 4" Red
- 895 Stud - 12 Rod Adpt w/Nosepiece
- HFG603 Stud - Main Body
- HFG114 Nosepiece - 12
- HCP165 Roll Pin - 5/32" x 1.25"
- H-8396A Sleeve

5



5 - Drum Assembly & Components

HFG705

- HFG705 Drum Assembly - Complete
- HFG610 Cowling - w/Guard & Spool
- HFG601 Spool Assembly - Complete
- H-14691C Spool Assembly Half
- H-14852A Fastener - M6 x 1.00-6G 316 (order 4)
- HFG611 Cowling - w/Guard
- HFG727 Cowling - w/Label & Shims
- 4777 Label - Cowling
- HFG720 Fastener Set - Guard
- H-16512A Mylar Cowling Shim (order 2)
- HFG728 Guard - w/Shims & Fastener
- H-16055C Line Guard
- H-16510A Fastener - M8 x 1.25 GC Screw
- H-16511A Mylar Guard Clamp Shim
- HFG617 Hub - w/Lower Toggle
- HFG369 Lower Toggle
- HFG129 Flat Washer - Lower Toggle
- HFS117 Cotter Pin
- HFG477 Lockwasher - Toggle
- HFG127 Lock Nut
- HFG115 Clevis Pin - Lower Toggle
- HFG670 Hub - w/o Lower Toggle
- HFG665 Tack Shackle Assembly
- 831 Shackle - 1/4" Bow
- HFG160 Swivel Bracket
- HFG161 Swivel Pin - 13/32"
- HFG162 Plastic Washer
- HFS118 Pin - 1/16" x .500 18-8 Cotter
- HSB29 Clevis Pin - 1/4" x 1.000"