
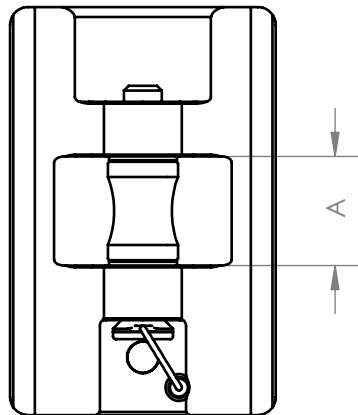
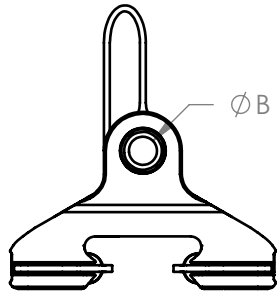


Becket Part #	OD	ID	R	L
H-35322A	0.494	0.206	0.550	0.703
HSB26	0.508	0.254	0.496	0.744
HMR25	0.626	0.324	0.580	0.858
HSB113	0.494	0.187	0.550	0.703
H-32945A	0.500	0.315	0.941	1.000
HSB25	0.490	0.188	0.623	0.550
H-39069A	0.730	0.406	1.000	1.025
H-42227	0.748	0.500	1.575	1.297

 <b>HARKEN</b> INCORPORATED 1251 E. Wisconsin Avenue Pewaukee, Wisconsin 53072 262-691-3320 Fax: 262-691-3807	ALL DIMENSIONS IN INCHES TOLERANCES (EXCEPT AS NOTED)		<b>BATTCAR BECKET DIMENSIONS TABLE</b>			DRAWING NO. <b>H-47652</b>
	DECIMAL ±	ANGULAR ±				DRAWN BY <b>BWL</b>
	FRACTIONAL ±	HOLE DIAMETER ±	CHK'D	FINISH	SCALE <b>2:1</b>	DATE <b>7/25/2008</b>
	© <b>HARKEN YACHT EQUIPMENT DIVISION OF HARKEN, INC.</b> The designs, constructions, arrangements, disclosures and devices illustrated in presentations bearing this note are the property of Harken, Incorporated, Pewaukee, Wisconsin and are submitted in confidence with the understanding that such material shall not be utilized in any way by any party without prior written consent from Harken, Incorporated.					



Becket Part #	Car Part #	System	A (Slot)		B (Pin)	
			in	mm	in	mm
H-35322A						
	3815/3814/3812/3828/3831	AA	3/4	19	0.197	5
	1777	A	3/4	19	3/16	4.76
HSB26						
	1895/1980/1781/1790	B	7/8	22	1/4	6.35
	3839/3863	B	0.83	19	0.245	6.22
	1977	A	3/4	20	1/4	6.35
	3836	B	3/4	20	1/4	6.35
HMR25						
	1785/1791	C	1 1/16	27	5/16	7.94
HSB113						
	1894	A	3/4	19	3/16	4.76
H-32945A						
	C6840	C	1	25.4	5/16	7.94
HSB25						
	1789/1776	A	9/16	14.29	3/16	4.76
H-39069A						
	3860/3859	B	1	25.4	3/8	9.53
	3871	C	1 1/8	28.85	0.394	10
H-42227						
	3872/3873	C	1 3/8	35	0.472	12

**HARKEN**  
 INCORPORATED  
 1251 E. Wisconsin Avenue  
 Pewaukee, Wisconsin 53072  
 262-691-3320  
 Fax: 262-691-3807

ALL DIMENSIONS IN INCHES TOLERANCES (EXCEPT AS NOTED)		<b>BECKET REPLACEMENT TABLE</b>			DRAWING NO. <b>H-47070</b>	
DECIMAL ±	ANGULAR ±				DRAWN BY <b>BWL</b>	
FRACTIONAL ±	HOLE DIAMETER ±	CHK'D		FINISH <b>-</b>		SCALE <b>1:2</b>
<b>© HARKEN YACHT EQUIPMENT DIVISION OF HARKEN, INC.</b> The designs, constructions, arrangements, disclosures and devices illustrated in presentations bearing this note are the property of Harken, Incorporated, Pewaukee, Wisconsin and are submitted in confidence with the understanding that such material shall not be utilized in any way by any party without prior written consent from Harken, Incorporated.						