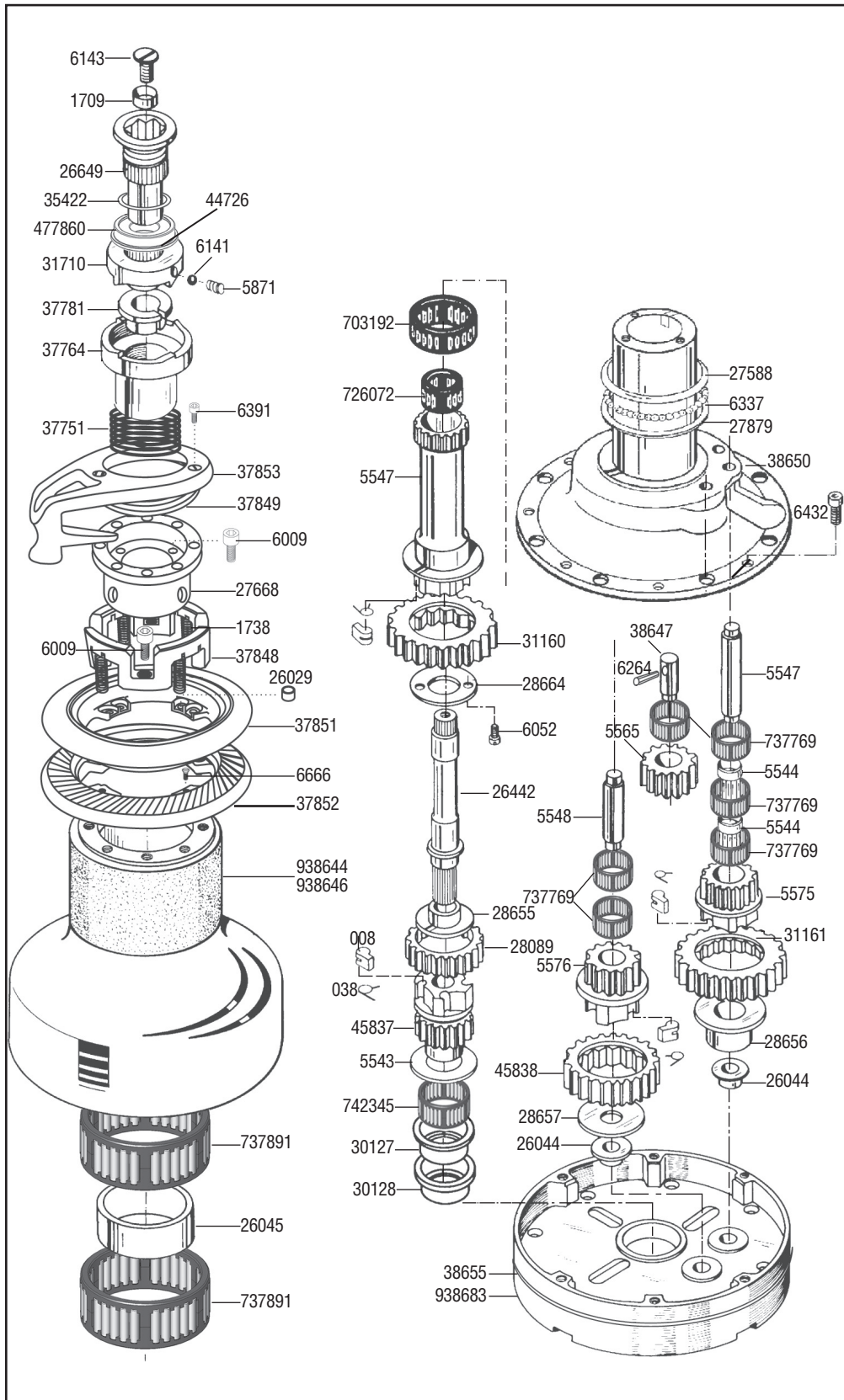


HARKEN®

70.3st

Three Speed Self-Tailing Winch Winch Parts, Installation, Service



Parts List

008	Pawl
038	Pawl
1709	Plastic Washer
1738	Spring
5543	Washer
5544	Spacer
5547	Gear Shaft
5548	Gear Shaft
5565	Gear
5574	First Gear Drive Shaft
5575	Pawl Gear
5576	Pawl Gear
5871	Spring
6009	Screw
6052	Screw
6141	Ball
6143	Top Screw
6264	Pin
6337	Ball Bearings
6391	Screw
6432	Screw
6666	Screw
26029	Plastic Washer
26044	Plastic Bushing
26045	Spacer
26442	Center Spindle
26649	Handle Socket
27588	Thrust Bearing
27668	Stripper Arm Base
27879	Thrust Washer
28089	Ratchet Gear
28655	Washer
28656	Bushing
28657	Washer
28664	Cover Plate
30127	Bushing
30128	Plastic Bushing
31160	Ratchet Gear
31161	Ratchet Gear
31710	Upper Drive Ring
35422	Ring
37751	Spring
37764	Lower Drive Ring
37781	Guide Bushing
37848	Springs Support
37849	Cover
37851	Upper Jaw
37852	Lower Jaw
37853	Stripper Arm
38647	Gear Shaft
38650	Center Stem
38655	Red Ring
45837	Pawl Gear
45838	Ratchet Gear
477860	Top Cap
703192	Bearing
726072	Bearing
37769	Bearing
44726	Logo Support
737891	Bearing
742345	Bearing
938644	Aluminum Drum
938646	Chrome Drum
938683	Base

When ordering parts for service, please include a "B" before each number (i.e. B008)

Service winch before the sailing season begins and once during.

Required Tools

Screwdriver	Rags
Allen Wrench (6 mm)	Solvent
Allen Wrench (5 mm)	Oil
Plastic Head Hammer or Mallet	Grease
Small Knife	Suggested Service Kits
Brush	BK4512 10 008 Pawls
	10 038 Springs
	BK4513 100 ml Grease

Installing Winch

- Make sure mounting surface is flat.
- Check sheet entry angle. Should be at least 8° (see drawing).
- Open winch.
- Position winch on deck with drive gear where sheet enters winch drum. Mark holes.
- Remove winch and drill holes.
- Mount using six (5) 3/8" (10 mm) flathead machine screws.
- Apply bedding compound. Bolt winch to boat.
- Clean excess bedding compound from base drain holes.
- Lubricate and close winch.

Minimum/Maximum Line Diameter

Harken winches feature spring-loaded self-tailing jaws which adjust automatically to the following line sizes:

Minimum	5/16" (8 mm)
Maximum	3/4" (18 mm)

Positioning Stripper Arm

- Loosen top screw (6143).
- Remove handle socket (26648).
- Lift stripper arm (37853) and position as desired.

Opening Winch

- Remove top screw (6143).
- Remove handle socket (26649).
- Remove 3 screws (6391) in stripper arm (37853).
- Remove stripper arm (37853).
- Remove 4 screws (6009) in stripper arm base (27668).
- Lift support base.
- Lift off drum.

Servicing Winch

- Remove bearings from center stem.
- Drum support bearing 27588/6337/27879 cannot be removed; clean with solvent and lubricate lightly with grease.
- Remove allen screws (6432) holding center stem to base.
- Remove center stem (38650) carefully.
- Remove pawls and springs - service as below.
- Remove all bearings, gear shafts and gears.
- Service one gear shaft assembly at a time to avoid confusion.
- Inspect plastic bushings for wear.
- Remove all pawls and springs and service (see below).
- Use brush to lubricate all gears, gear shafts, bearings, teeth and all moving parts lightly with grease.
- Replace pawls and springs and lubricate lightly with oil.
- Assemble and close winch.

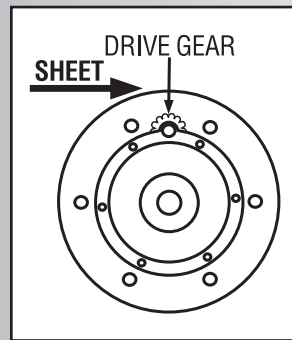
Servicing Pawls

- Catch spring with knife and hold against pawl.
- Lift out pawl.
- Clean and check for wear.
- Place spring against pawl with straight leg against pawl.
- Hold spring closed and slip pawl into pawl socket.
- Lubricate pawls using oil.

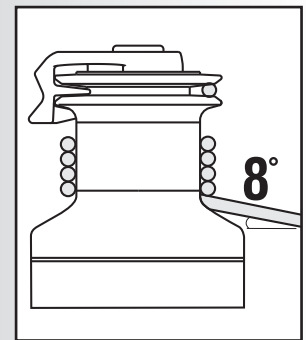
HARKEN®

USA: 1251 E. Wisconsin Ave., Pewaukee, WI 53072 USA • Tel: (262) 691-3320 • Fax: (262) 691-3008 • Web: harken.com • E-mail: harken@harken.com
ITALY: Via Della Cerca, 12/14, 22070 Lurago Marinone, Como, Italy • Fax: (39) 031.3520031 • Tel: (39) 031.3523511 • Web: harken.it • E-mail: info@harken.it

Mounting

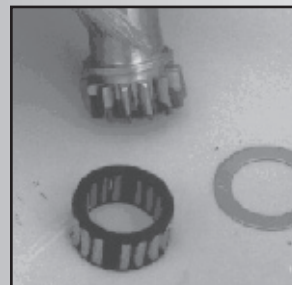


Position drive gear where sheet enters winch drum.

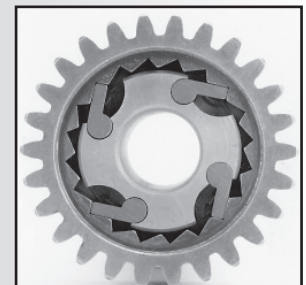


Sheet entry angle must be at least 8°.

Servicing Winch



Clean only metal parts with solvent.

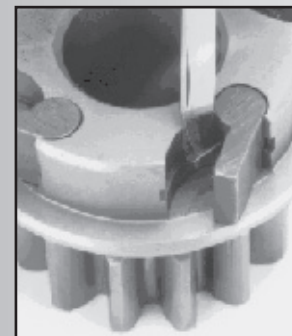


Use a brush to spread a light, even coat of grease.

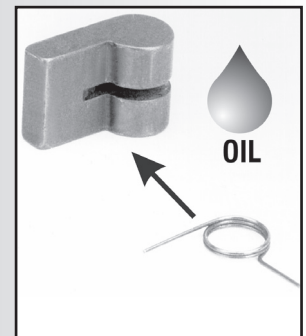


If ratchet gear is mounted backwards, winch will slip.

Servicing Pawls



Use knife to free captive spring.



Insert spring with straight leg against pawl. Use oil for lubrication.

WARNING

EN: Do not allow teak cleaning products or other cleaners containing caustic solutions to come into contact with winches and especially anodized, chrome plated or plastic parts.
F: Évitez soigneusement tout contact de nettoyant pour teck ou autres produits de nettoyage avec les winchs et plus particulièrement avec les pièces en aluminium anodisé, en métal chromé ou en plastique.
D: Keine Teak - Reiniger oder andere Reiniger die ätzende Stoffe enthalten, mit Winnschen, eloxierten, verchromten oder Kunststoffteilen in Berührung bringen.
I: Evitare il contatto dei prodotti per la pulizia del teak e di altre sostanze pulenti contenenti soluzioni caustiche con i winch e in particolare con i componenti anodizzati, cromati e plastici dei winch.
E: Evitar que los productos especiales para la limpieza de la Teca o cualquier otro limpiador que contengan soluciones cáusticas, entren en contacto con los Winches y en particular con componentes cromados, plateados o anodizados así como con las piezas de plástico.

4578/5-05

