

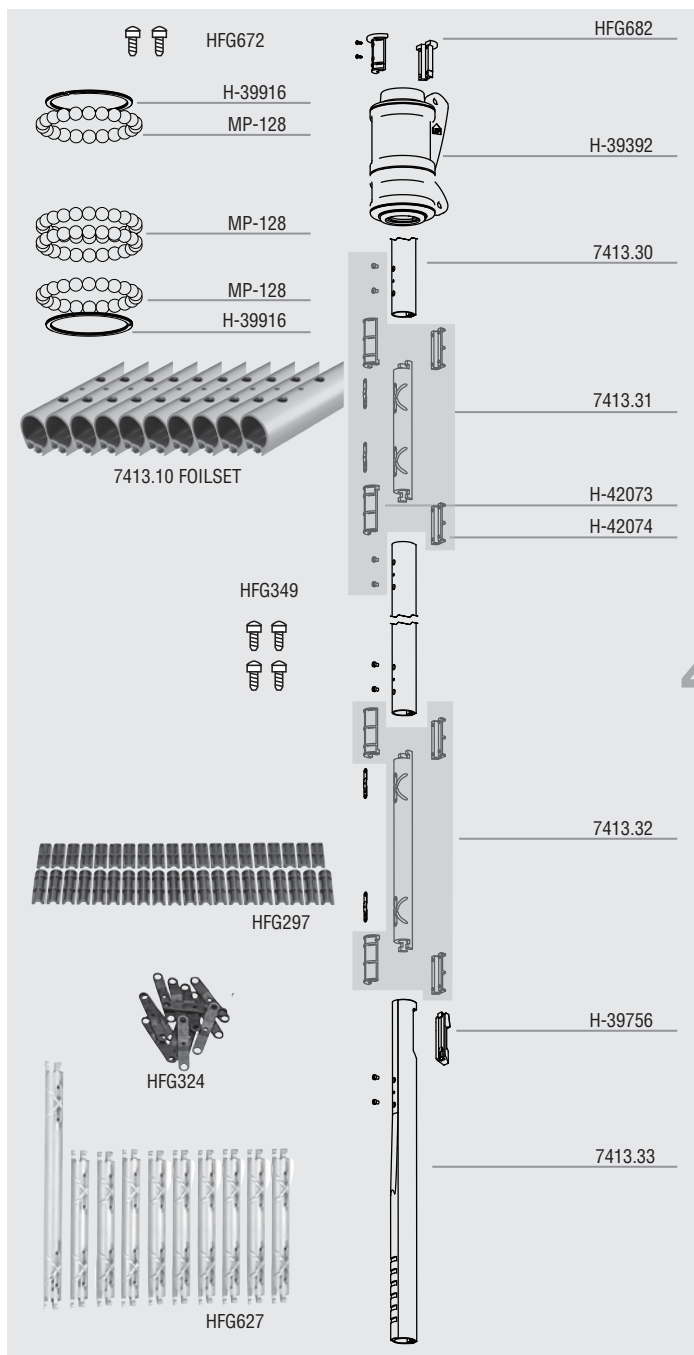
	Description	Order	Part No.
1	Top cover	2	H-45412
	Top cover screw (M5 X 16 mm FH)	2	HFS1091
	Bottom flange	2	H-45413
	Bottom flange screw (M5 X 12 mm FH)	2	HFS1060
2	Guard	2	H-45562
	Guard screw (M10 X 65 mm FH)	2	HFS1168
3	Clamp	1	H-45264
	Clamp screw (M8 X 25mm FH)	4	HFS1107
4	Hub assembly	1	7413.10BASE
	Ball plugs	5	H-38168
	Torlon® ball bearing (1/2")	25	MP-128
	Delrin® ball bearing (1/2")	100	MP-116

UNIT 3

No.	Description	Order	Part No.
5	Jaw/jaw toggle with short link plates	1	7413.20 3/4
	1 Toggle	1	H-41489
	2 Plates	2	H-45334
	3 Crosspin	1	H-42583
	4 Clevis pin (3/4" X 1.766:GR 302SS)	1	H-42403
	5 Isolator	2	H-42585
	6 Cotter pin (5/32" X 1.250 18-8)	2	HFS203
	7 Nylon locking nut	2	HFS991
6	Jaw/jaw toggle with short link plates	1	7413.20 7/8
	1 Toggle	1	H-42562
	2 Plates	2	H-45334
	3 Crosspin	1	H-42584
	4 Clevis pin (7/8" X 1.958" 302SS)	1	H-42404
	5 Isolator	2	H-42585
	6 Cotter pin (5/32" X 1.250 18-8)	2	HFS203
	7 Nylon locking nut	2	HFS991
7	Jaw/jaw toggle with short link plates	1	7413.21 3/4
	1 Stud (main body)	1	H-41812
	2 Nosepiece -22	1	H-41811
	3 Cotter pin (3/32 x 1.750)	2	HFG319
	4 Stud cap 7/8" ID	1	HFG303
	Jaw/jaw toggle with short link plates	1	7413.21 7/8
	1 Stud (main body)	1	H-41814
	2 Nosepiece -30	1	H-41813
3 Cotter pin (3/32 x 1.750)	2	HFG319	
4 Stud cap 7/8" ID	1	HFG303	

No.	Description	Order	Part No.	Part No.
6	Rod adapter stud (-22) w/nosepiece	1	7426 -22	
	1 Stud (main body)	1	H-41812	
	2 Nosepiece -22	1	H-41811	
	3 Cotter pin (3/32 x 1.750)	2	HFG319	
	4 Stud cap 7/8" ID	1	HFG303	
	Rod adapter stud (-30) w/nosepiece	1	7427 -30	
	1 Stud (main body)	1	H-41814	
	2 Nosepiece -30	1	H-41813	
3 Cotter pin (3/32 x 1.750)	2	HFG319		
4 Stud cap 7/8" ID	1	HFG303		
7	Long link plate w/toggle		7313.21 3/4	7313.21 7/8
	1 Toggle	1	H-41489	H-42562
	2 Plates	2	H-42568	H-42568
	3 Upper clevis pin (custom)	1	H-42583	H-42584
	4 Lower clevis pin	1	H-42403	H-42404
	5 Isolator	2	H-42585	H-42585
	6 Cotter pin	2	HFS203	HFS203
	7 Nylon locking nut	2	HFS991	HFS991
8 Socket head cap screw	4	HFS903	HFS903	

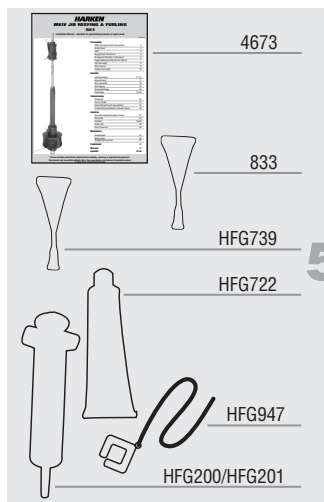
Delrin is a registered trademark of E. I. du Pont de Nemours and Company or its affiliates. Torlon is a registered trademark of Solvay Advanced Polymers



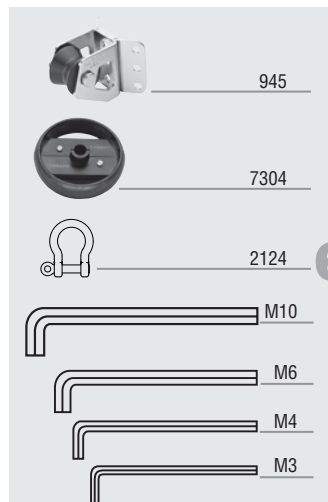
4

Description	Order	Part No.
Trim cap set w/o screws	1	HFG682
Trim cap screw set	1	HFG672
Trim cap screw	2	HFS1127
Halyard swivel	1	H-39392
Clip/small ring for balls	2	H-39916
Torlon® ball bearings	88	MP-128
Foil set	1	7413.10 FOILSET
Foil (7' / 2.13 m luff)	10	7413.30
Foil (2' / 610 mm) bottom	1	7413.33
Foil screw set	1	HFG349
Foil screw	46	HFS1106
Connector kit	1	7413.31
Connector (247 mm / 9 3/4")	1	—
Connector bushing A	2	H-42073
Connector bushing B	2	H-42074
Foil screw	2	HFS1106
Plastic connector wedge	2	H-39487
Bottom connector kit	1	7413.32
Bottom connector (355 mm / 14")	1	—
Connector bushing A	2	H-42073
Connector bushing B	2	H-42074
Connector set (No bushings, wedges or screws included)	1	HFG627
Connector (247 mm / 9 3/4")	9	—
Bottom connector (355 mm / 14")	1	—
Connector bushing set	1	HFG297
Connector bushing A (curved/longer)	20	H-42073
Connector bushing B (flat/shorter)	20	H-42074
Plastic connector wedge set	1	HFG324
Plastic connector wedge	22	H-39487
Feeder with screw and tab	1	H-39756
Feeder tab	1	H-38372A
Screw	1	HFS1130

4



5



6

UNIT 3

5

Description	Order	Part No.
Instruction manual	1	4673
Blue Loctite® adhesive	1	833
Red Loctite® adhesive	2	HFG739
5200 adhesive set	1	HFG725
5200 marine adhesive sealant	1	HFG722
Injector	1	HFG200 HFG201
Prefeeder	1	947

6

Description	Order	Part No.
Halyard restrainer (optional)	1	945
Sheave/ss inner race only	1	945A
Clevis pin (1/4" x 1.0625" 18-8)	1	HCP208
Bracket-large	1	HCP394
Cotter pin (1/16" x .500" 18-8)	1	HFS181
Halyard deflector	1	7304
Shackle	3	2124
Hex keys		
M10	1	HFG647
M6	1	HFG644
M4	1	HFG640
M3	1	HCP1089