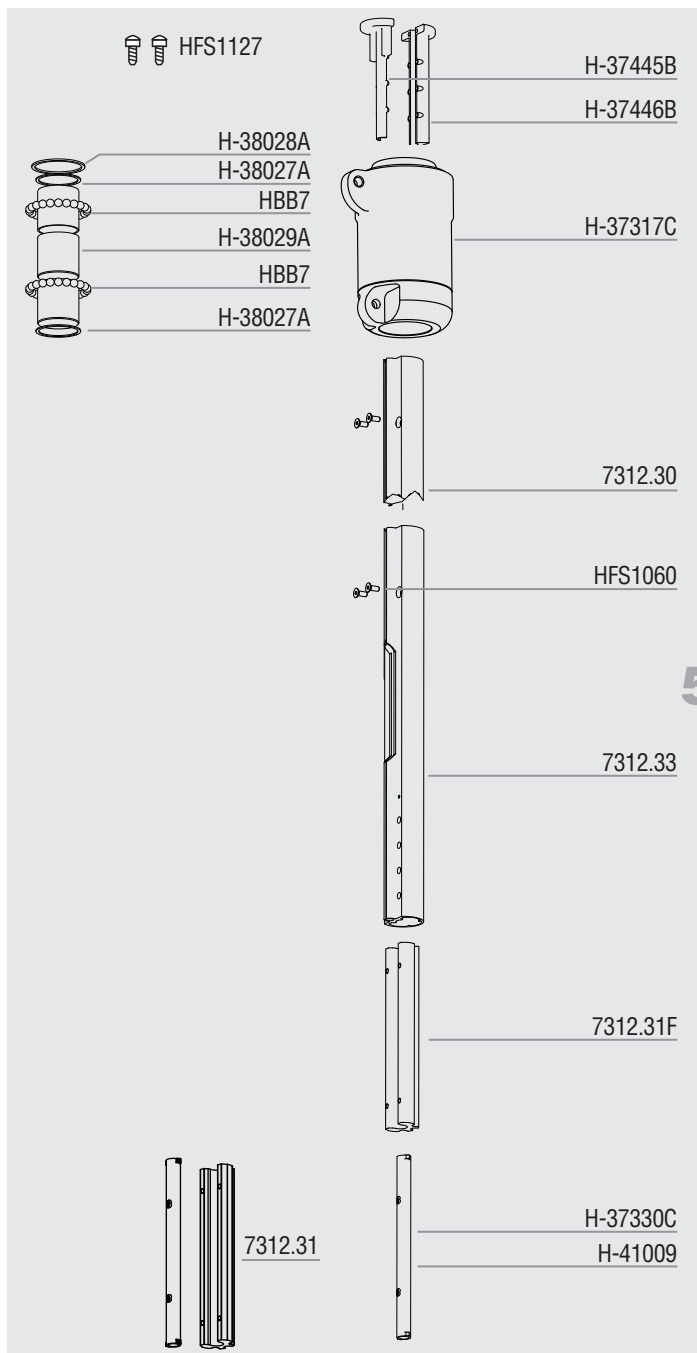
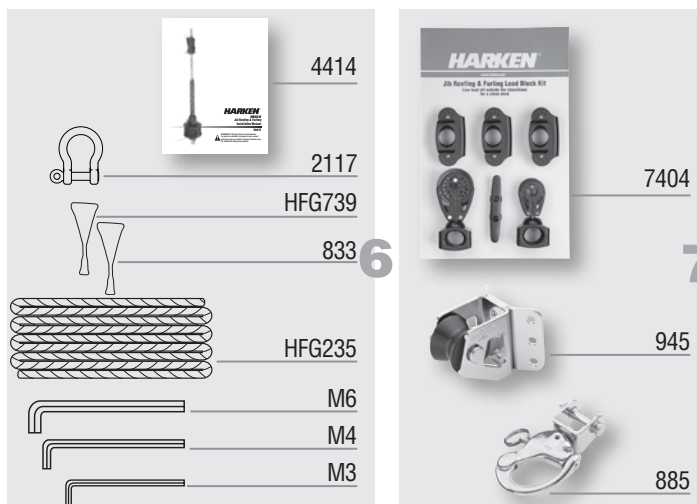


	Description	Order	Part No
1	Top Cover Assembly w/Screws	1	HFG689
	Top Cover	2	H-35025D
	Top Cover Screw	2	HFS1060
	Bottom Flange Assembly w/Screws	1	HFG690
	Flange	2	H-35465C
	Bottom Flange Screw	2	HFS1060
2	Guard Assembly	1	HFG691
	Guard	2	H-33758E
	Guard Screw	2	HFS873
3	Torque Tube Screws	2	HFS1338
4	Hub Assembly	1	HFG183
	Ball Plugs	3	H-33860A
	Delrin Ball Bearing	75	HBB153
	Igus Crosspin Bushing	2	HCP1707



5

Description	Order	Part No.
Trim Cap Half A	1	H-37445B
Trim Cap Half B	1	H-37446B
Trim Cap Screw	2	HFS1127
Halyard Swivel	1	H-37317C
Clip/Smally Ring	1	H-38028A
Clip/Smally Ring for liners	2	H-38027A
Liner/Igus	3	H-38029A
Torlon Ball Bearings	44	HBB7
Foil (7' / 2.13 m Luff)	8	7312.30
Foil (2' / 610 mm) Bottom w/Feeder	1	7312.33
Connector	8	7312.31F
Connector Screw	30	HFS1060
Connector Isolator	8	H-37330C
Connector Isolator (7/16", 11 mm, 12 mm Wire)	9	H-41009
Connector w/H-37330C		7312.31



6

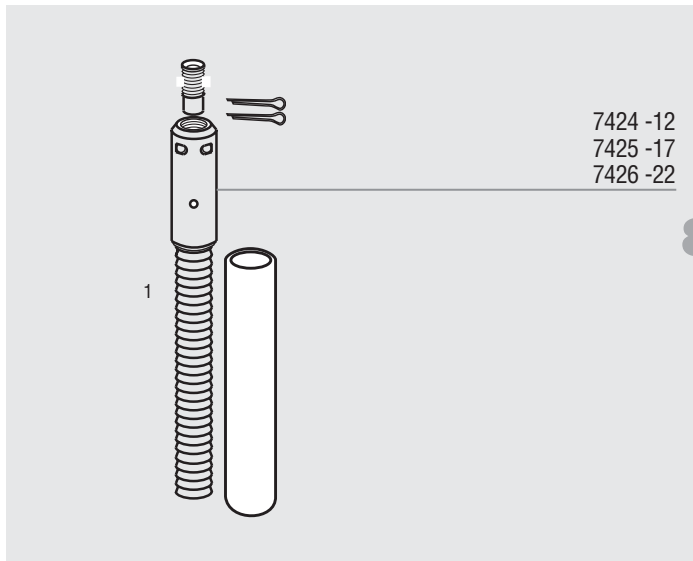
Description	Order	Part No.
Instruction Manual	1	4414
Shackle	3	2117
Red Loctite®	2	HFG739
Blue Loctite®	1	833
8mm Double Braid Polyester (100', 30.4 m)	1	HFG235
Allen Wrenches		
M3	1	HCP1089
M4	1	HFG640
M6	1	HFG644

7

Description	Order	Part No.
Lead Block Kit	1	7404
29 mm Outboard Lead Assembly	3	7403
57 mm Carbo Ratchet Assembly	1	7402
40 mm Carbo Assembly	1	7401
Horn Cleat	1	HCP168
Halyard Restrainer	1	945
Sheave/SS Inner Race Only	1	945A
Clevis Pin (1/4" x 1.0625" 18-8)	1	HCP208
Bracket-Large	1	HCP394
Cotter Pin (1/16" x .500" 18-8)	1	HFS181
Snap Shackle	1	885

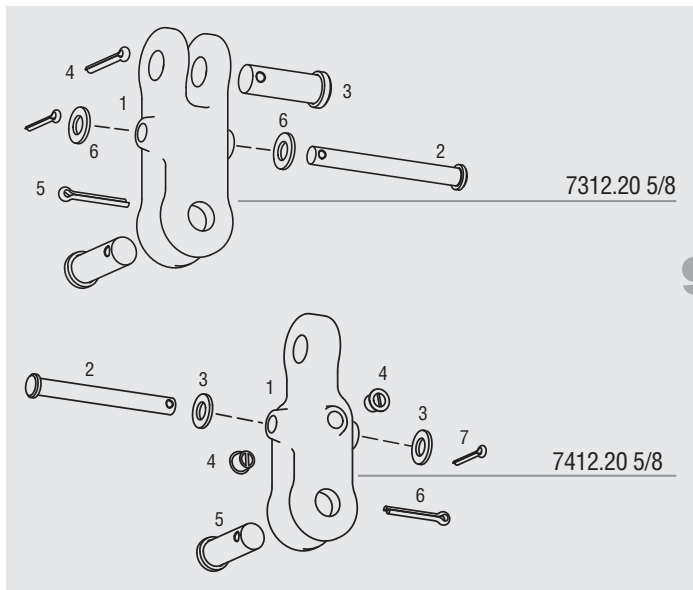
7

Description	Order	Part No.
Lead Block Kit	1	7404
29 mm Outboard Lead Assembly	3	7403
57 mm Carbo Ratchet Assembly	1	7402
40 mm Carbo Assembly	1	7401
Horn Cleat	1	HCP168
Halyard Restrainer	1	945
Sheave/SS Inner Race Only	1	945A
Clevis Pin (1/4" x 1.0625" 18-8)	1	HCP208
Bracket-Large	1	HCP394
Cotter Pin (1/16" x .500" 18-8)	1	HFS181
Snap Shackle	1	885



8

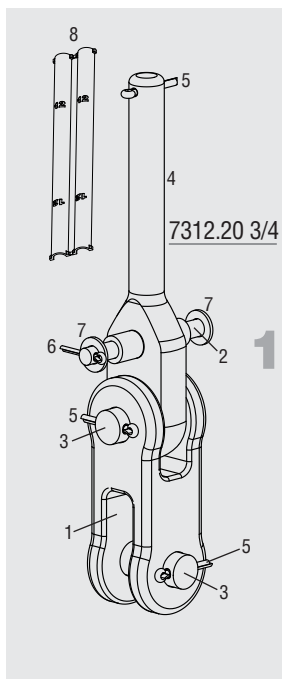
No.	Description	Order	Part No.
8 Rod Adapter Stud w/Nosepiece			
1	Stud (Main Body)	1	H-41531
2	Nosepiece	1	H-41527
3	Cotter Pin	2	HFG193
No.	Description	Order	Part No.
8 Rod Adapter Stud w/Nosepiece			
1	Stud (Main Body)	1	H-41531
2	Nosepiece	1	H-41526
3	Cotter Pin	2	HFG193



9

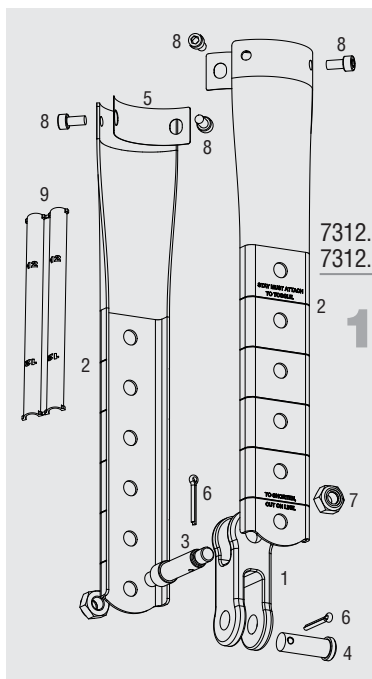
9

No.	Description	Order	Part No.
9 Jaw/Jaw Toggle			
1	Toggle	1	H-42316
2	Crosspin	1	H-42398
3	Clevis Pin	2	H-42397
4	Cotter Pin	2	HFS203
5	Cotter Pin	1	HFS220
6	Nylon Washer	2	HFS1005
9 Eye/Jaw Toggle Reversible			
1	Toggle	1	H-37647C
2	Crosspin	1	H-42398
3	Nylon Washer	2	HFS1005
4	Cross Hole Plug	2	H-42045
5	Clevis Pin	1	H-42397
6	Cotter Pin	1	HFS203
7	Cotter Pin	1	HFS220



10

10



11

11

No.	Description	Order	Part No.	Part No.
10 Stud/Jaw Toggle				
1	Jaw JawToggle	1	H-41489	
2	Crosspin	1	H-42398	
3	Clevis Pin	2	H-42403	
4	Stud	1	H-43210	
5	Cotter Pin	3	HFS203	
6	Cotter Pin	1	HFS220	
7	Nylon Washer	2	HFS1005	
8	Large Bore Connector Isolator	9	H-41009*	
*Large Bore Connector Isolators for 7/16", 11 mm or 12 mm wire				
No.	Description	Order	Part No.	Part No.
11 Long Link Plate w/Toggle				
1	Jaw Jaw Toggle	1	H-41300	H-41489
2	Link Plate Straps	2	H-41304	H-41304
3	Cross Pin	1	H-41302	H-41525
4	Lower Clevis Pin	1	H-42397	H-42403
5	Isolator	2	H-41497	H-41497
6	Cotter Pin	2	HFS203*	HFS203**
7	Nylock Nut (M12)	2	HFS937	HFS937
8	Allen Cap Screws (M8x1.25x16 A4 (SH))	4	HFS336	HFS336
9	Large Bore Connector Isolator	9	H-41009***	—

* (5/8" x 1 1/2" 18-8); ** (3/4" x 1 13/16" 18-8); *** Large Bore Connector Isolators for 7/16", 11 mm or 12 mm wire