

## INSTRUCTIONS

### T32KIT Control Block Upgrade

Fits end controls: E2730, E3230 | Fits genoa leads: G27, G27.HL | Fits traveler cars: T32

**Note:** T32 and T32.HL cars with two toggles use T32KIT.HL

N15W24983 Bluemound Road • Pewaukee, WI 53072 U.S.A.

Telephone: (262) 691-3320 • Fax: (262) 701-5780

Web: [www.harken.com](http://www.harken.com) • Email: [harken@harken.com](mailto:harken@harken.com)

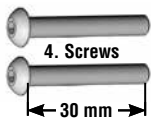


**Strictly follow all instructions to avoid an accident, damage to your vessel, personal injury, or death: [www.harken.com](http://www.harken.com) for additional safety information.**

### Parts List



No.	Item name	Qty	Part No.
1	Sideplate (control) 35 mm	4	H-51009
2	Inner race – 35 mm ESP	4	H-50904
3	Sheave assembly 35 mm ESP	4	H-50902
4	Screw M6 X 30 mm socket buttonhead	8	HFS1219
5	Deadend	2	H-51078
6	Blue Loctite® adhesive (not shown)	1	833



Series or Part Number	Configuration	Screw length		Screw number
		in	mm	
<b>Cars</b>				
T32 series	Sheave	1 <sup>3</sup> / <sub>16</sub>	30	HFS1219
	Deadend	1 <sup>3</sup> / <sub>16</sub>	20*	HFS366
<b>End controls</b>				
E3240, E3246	Double sheave	2	50**	HFS356
E2750, E2756, E3250, E3256	Double sheave/deadend***	2	50**	HFS356
<b>Genoa leads</b>				
G273B, G273B.HL	Single sheave/deadend	1 <sup>3</sup> / <sub>8</sub>	35**	HFS1220
G274B, G274B.HL	Double sheave	1 <sup>3</sup> / <sub>4</sub>	45**	HFS1218

\*Shorten HFS1219 screw to 20 mm or source new 20 mm screw.

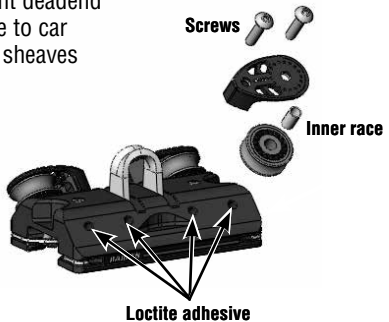
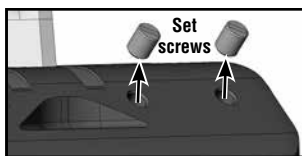
\*\*Screw lengths sold separately.

\*\*\*Deadend is part of control body, not stacked on top of sheaves.

To shorten screw, find/purchase a 6 mm nut and screw it onto the screw so it is on the side that will be retained. Cut screw and clean up threads by removing nut. Remove burrs using a file.

### Install Sheave or Deadend on Cars

Make sure screw is correct length. Remove set screws or deadend. Put a drop of blue Loctite adhesive into threaded holes. Mount deadend or sideplate, sheave, and inner race to car using screws provided. Make sure sheaves are to the outside.



**Caution! Do not stack two blocks on mainsheet traveler cars. Do not stack deadend on top of sheave. This will weaken the control assembly and can lead to a block or deadend breaking, possibly resulting in injury and damage to equipment.**

**Tip: Capture eye splice onto deadend before installing.**

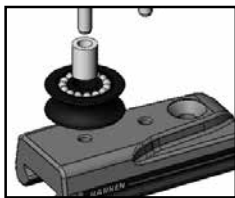
## Assembling E2730, E3230 End Controls

Requires 50 mm length M6 screws to fit stack of two sheaves. Stack no more than two. Be sure to include the inner race when assembling. Apply blue Loctite® adhesive to threaded holes in car.

**Tip: Capture eye splice onto deadend before installing sheave assembly.**



Loctite adhesive



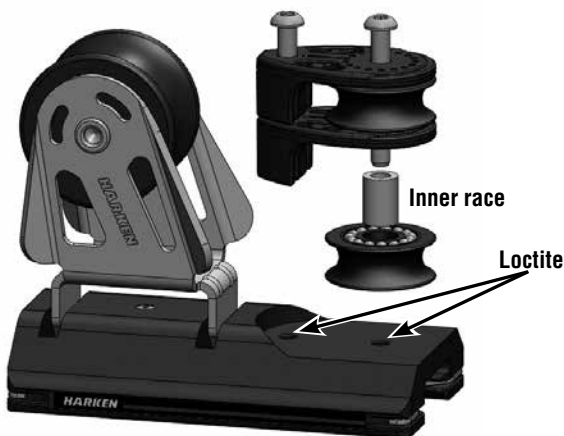
Be sure to use inner race with sheave assembly.

For reeving instructions: <http://www.harken.com/content.aspx?id=13779>

Loctite is a trademark of Henkel AG & Company KGaA

## Assembling Sheave or Deadend on G27 or G27.HL Cars

Requires 45 mm length M6 screws for stack of two sheaves. Apply blue Loctite adhesive to threaded holes in car.



## Inspect

Frequently inspect line for deterioration and replace as necessary. Check block for signs of wear.

## Maintenance

**Travelers, genoa lead cars and control blocks:** Clean by frequently flushing with fresh water. Periodically clean car by squirting a detergent/water solution into center openings. Roll car back and forth to distribute evenly. Flush bearings with fresh water.

Do not use spray lubricants. Ball bearings can skid, not roll. Apply one to two (2) drops of McLube® OneDrop™ conditioner and lubricant to ball contact surfaces of track. Roll car back and forth through OneDrop conditioner several times to distribute onto bearings. Wipe remaining OneDrop conditioner off track. You can also use one to two (2) drops of a light machine oil. Too much oil attracts dirt.

**Track:** Clean with detergent and water.

**Important! Exposure to some teak cleaners and other caustic solutions can result in discoloration of part and is not covered under the Harken warranty.**

McLube is a trademark of McGee Industries, Inc.  
OneDrop is a trademark of McLube.



## Warranty

For additional safety, maintenance and warranty information:  
[www.harken.com/manuals](http://www.harken.com/manuals) or the Harken catalog.