

HARKEN®

INSTRUCTIONS

4" Retrofit Hole-Spacing, CB-Style Midrange CB Low-Beam Traveler Track 1602, 1605

Important: for spanning, use R27HB track.

USA – Tel: (+01) 262-691-3320 • Web: www.harken.com • Email: harken@harken.com
Italy – Tel: (+39) 031.3523511 • Web: www.harken.it • Email: techservice@harken.it



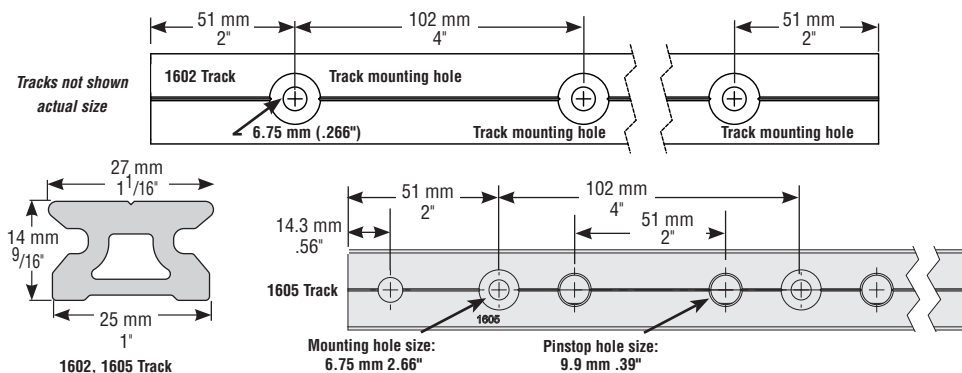
Strictly follow all instructions to avoid an accident, damage to your vessel, personal injury or death. See www.harken.com for additional safety information.

IMPORTANT: Inspection and Maintenance at end of instructions.
www.harken.com/manuals for complete instructions including shortening, curved track and maintenance.

1602, 1605 Track is CB Compatible

Note: 1602 and 1605 track will work with 27 mm Midrange CB cars. Track has added groove for the CB car's keeper wires. Also works with non-CB cars. Track 1605 has stop holes for pin stop sliders.

1602, 1605 Retrofit CB-Style 4" Hole Spacing Track/Low-Beam—Fasteners 6 mm (1/4") FH



Part No.	Length		Mounting hole spacing		Fasteners		Endstop*/trim cap*	Splice link
	ft	m	in	mm	in	mm		
1605.4	4	1.22	4	102	1/4 FH	6 FH	E2700/1621	1619
1605.6	6	1.83	4	102	1/4 FH	6 FH	E2700/1621	1619
1602.8	8	2.44	4	102	1/4 FH	6 FH	E2700/1621	1619
1602.12	12	3.66	4	102	1/4 FH	6 FH	E2700/1621	1619

Not for spanning. See mounting instructions. *Sold in pairs.

Important: When purchasing fasteners, add deck thickness and enough threads to extend below washer and nut to 14 mm (9/16") track height.

Deck Strength

Track must be installed on a flat area of deck. If necessary, reinforce to bear a load equal to at least twice maximum working load of car. It is installer's responsibility to carry out all structural tests needed to ensure that deck can bear load. Consult the boat builder if in doubt about the correct track position and deck strength. Harken assumes no responsibility for incorrect installation of track, or for an incorrect choice of mounting screws.



WARNING! Failure to ensure the correct deck strength can result in the track pulling off the deck suddenly and unexpectedly during high loads, possibly causing an accident.

Mounting Track

Use a 6 mm (1/4") flathead screw. Use fasteners that are made from A4 (316) or A2 (18-8) stainless steel.

Carefully drill holes and apply high-quality bedding compound. Through-bolt track using all fastener holes. Secure under the deck using a large washer or backing plate and washer and locknut. Make sure deck is reinforced to handle loads. Use fastener holes through-bolted as directed.

Use large washers or backing plates, and lock washers or locknuts. It is installer's responsibility to choose correct screws, nuts, washers, and threaded plates, taking into account materials and loads they will have to bear. Harken assumes no responsibility for incorrect installation of end controls, or for an incorrect choice of mounting fasteners.

Low-beam track must not be used for spanning.



WARNING! Use all fastener holes through-bolted as directed above. Use fasteners made of A4 (316) or A2 (18-8) stainless steel. Skipping fastener holes or using fasteners made of other materials might not have sufficient strength or can corrode this can result in loaded track pulling off deck suddenly and unexpectedly, causing an accident.

Inspect

Carefully inspect track and mounting hardware for any signs of loosening, cracks or damage. Inspect endstops to make sure they are secure and that there are no cracks or damage. Arrange control tackle so cars do not hit endstops under load.



WARNING! Failure to inspect tracks and stops can result in loaded track pulling off deck suddenly and unexpectedly, possibly causing an accident.

Maintenance

Traveler cars: Clean by frequently flushing with fresh water. Periodically clean car by squirting a detergent/water solution into center openings. Roll car back and forth to distribute evenly, then flush bearings with fresh water.

Do not use spray lubricants because ball bearings may skid not roll. Apply a few drops of McLube® OneDrop™ ball bearing conditioner to ball contact surfaces of track. Roll car back and forth through OneDrop conditioner several times to distribute onto bearings. Wipe remaining OneDrop conditioner off track. OneDrop conditioner is preferred but you can also use one to two drops of a light machine oil. Too much oil attracts dirt.

Track: Clean with detergent and water.

Important! Exposure to some teak cleaners and other caustic solutions can result in discoloration of part and is not covered under the Harken warranty.



Warranty

For additional safety, maintenance and warranty information: www.harken.com/manuals or the Harken catalog.