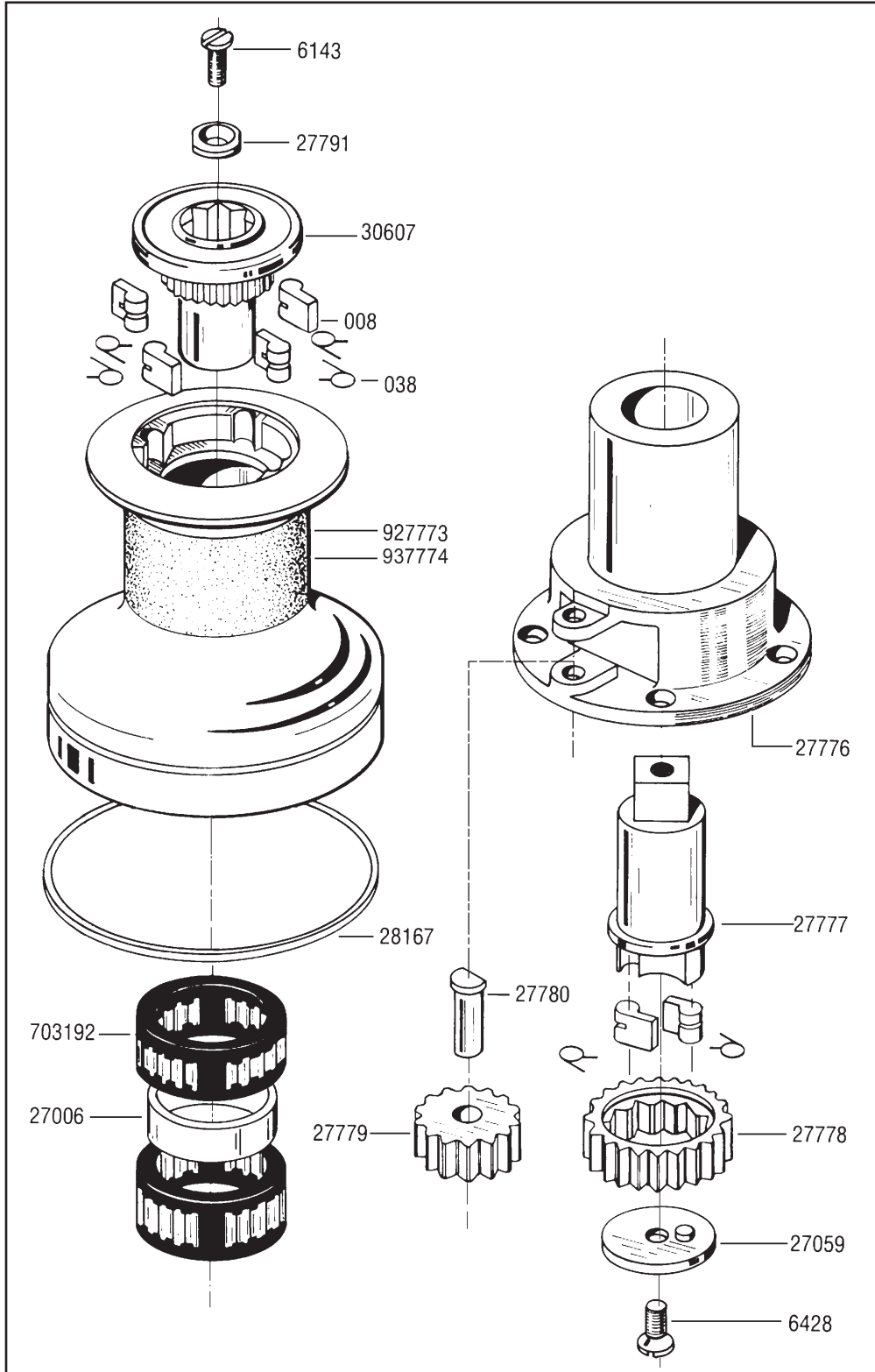


16.2

Two Speed Winch

Winch Parts Installation Service

HARKEN®



Required Tools

| |
|-------------------------------|
| Screwdriver |
| Plastic Head Hammer or Mallet |
| Small Knife |
| Brush |
| Rags |
| Solvent |
| Oil |
| Grease |

Parts List

| | |
|--------|----------------|
| 008 | Pawl |
| 038 | Pawl Spring |
| 6143 | Top Screw |
| 6428 | Screw |
| 27006 | Bearing Spacer |
| 27059 | Cover Plate |
| 27776 | Center Stem |
| 27777 | Spindle |
| 27778 | Ratchet Gear |
| 27779 | Gear |
| 27780 | Gear Shaft |
| 27791 | Plastic Washer |
| 28167 | Red Line Ring |
| 30607 | Ratchet Head |
| 703192 | Bearing |
| 927773 | Aluminum Drum |
| 928532 | Chrome Drum |

Suggested Service Kits

| | | |
|--------|--------|-------------|
| BK4512 | 10 | 008 Pawls |
| | 10 | 038 Springs |
| BK4513 | 100 ml | Grease |

When ordering parts, please include a "B" before each number (i.e. B008).

Service winch before the sailing season begins and once during.

■ **Installing Winch**

- Make sure mounting surface is flat
- Check sheet entry angle. Should be at least 8° (see drawing)
- Open winch
- Position winch on deck with drive gear where sheet enters winch drum and mark holes
- Remove winch and drill holes
- Mount using five (5) 1/4" (6 mm) flathead machine screws
- Apply bedding compound and bolt winch to boat
- Clean excess bedding compound from base drain holes
- Lubricate and close winch

■ **Opening Winch**

- Remove top screw
- Lift off drum

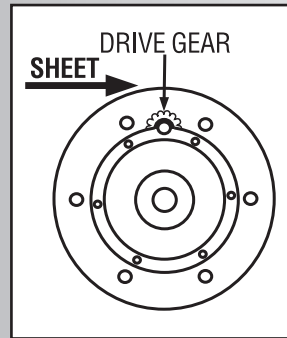
■ **Servicing Winch**

- Remove pawls and springs – service as below
- Remove bearings, gear shaft and gears
- To reach interior shaft bearing, winch must be removed from deck
- Clean all parts with rags and solvent
- Use a brush to lubricate all moving parts lightly with grease
- Replace pawls and springs and lubricate lightly with oil
- Reassemble and close winch

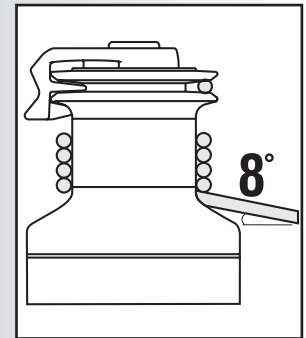
■ **Servicing Pawls**

- Catch spring with knife and hold against pawl
- Lift out pawls
- Clean and check for wear
- Lubricate pawls using oil
- Place spring against pawl with straight leg against pawl
- Hold spring closed and slip pawl into pawl socket

Mounting

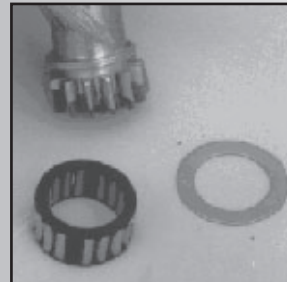


Position drive gear where sheet enters winch drum.

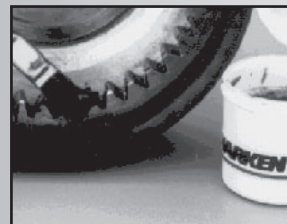
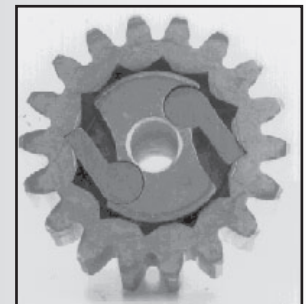


Sheet entry angle must be at least 8°.

Servicing Winch



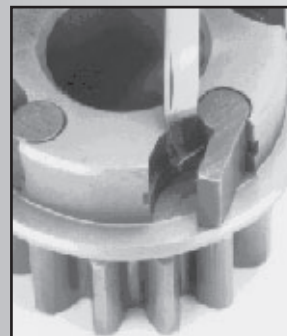
Clean all parts with solvent.



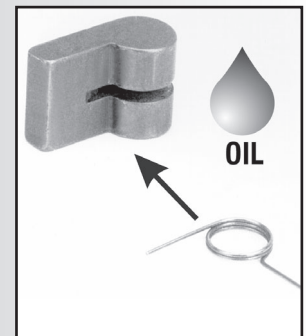
Use a brush to spread a light, even coat of grease.

If ratchet gear is mounted backwards, winch will slip.

Servicing Pawls



Use knife to free captive spring.



Insert spring with straight leg against pawl. Use oil for lubrication.

4462/10-04



HARKEN

USA: 1251 E. Wisconsin Ave., Pewaukee, WI 53072 USA • Tel: (262) 691-3320 • Fax: (262) 691-3008 • Web: harken.com • E-mail: harken@harken.com
 ITALY: Via Della Cerca, 12/14, 22070 Lurago Marinone, Como, Italy • Fax: (39) 031.3520031 • Tel: (39) 031.3523511 • Web: harken.it • E-mail: info@harken.it